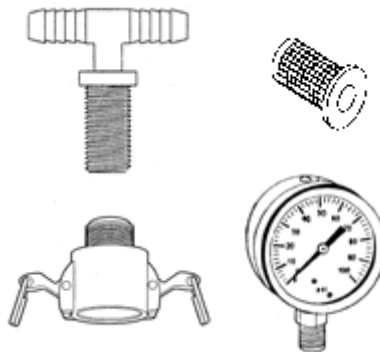


2018

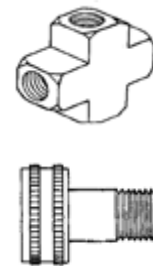
FITTINGS



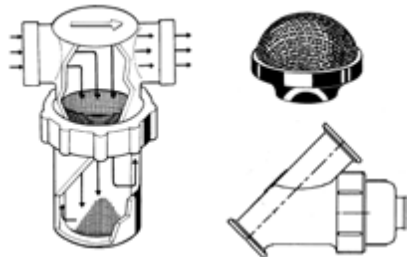
SPRAYER PARTS



BRASS



STRAINERS



PUMPS & VALVES



3610 NORTH CLIFF AVE - SIOUX FALLS, SOUTH DAKOTA 57104
605 332-4877 - 800 888-2615 - FAX 605 338-6015
www.amindustries.com e-mail sales@amindustries.com



PLASTIC FITTINGS

STRAIGHT ADAPTERS	1-2
ELBOWS	3-5
PLUGS	5
MENDERS	6
NIPPLES	7
TEES	8-10
STREET ELBOWS	10
REDUCER BUSHINGS	11
FEMALE CROSSES	11
FEMALE COUPLINGS	12
THREADED CAPS & INSERTS	12
SCH 80 POLYPROPYLENE	13-14
GARDEN HOSE FITTINGS	15-16

STRAINERS

T STRAINERS	17-20
Y STRAINERS	21
SUCTION LINE STRAINERS	21

SPRAYER PARTS

NOZZLE FITTINGS, NOZZLE ADAPTERS	23
NOZZLE ACCESSORIES, BOOM CLAMPS	22
TUBING	26
MANIFOLDS	22
PUMPS	24
BULKHEAD FITTINGS	25
GAUGES	25
TANKS	25
SEALANTS	26
CLAMPS	26
VALVES	27
BOOMLESS NOZZLES	28

SPECIALTY FITTINGS

CAM LEVER COUPLINGS	29
STAINLESS STEEL	30
BRASS	31-32
PUSH-IN TUBE	33-34
MANIFOLD	35-36

PLEASE NOTE: Pricing is List Price. Please call for discounts.



Illustration Only
Please call for specific part drawing

ADAPTERS MPT X HB

Mpt	Hb	Nylon	List/E	Polypropylene	List/E	Polyethylene	List/E
1/8	3/16	TA1023	.46	TA1023PP	.40	TA1023P	.34
1/8	1/4	TA1024	.46	TA1024PP	.40	TA1024P	.36
1/8	5/16	TA1025	.42	TA1025PP	.40	TA1025P	.36
1/8	3/8	TA1026	.46	TA1026PP	.40	TA1026P	.37
1/4	3/16	TA1043	.47	TA1043PP	.40	TA1043P	.39
1/4	1/4	TA1044	.43	TA1044PP	.40	TA1044P	.39
1/4	5/16	TA1045	.47	TA1045PP	.40	TA1045P	.39
1/4	3/8	TA1046	.48	TA1046PP	.39	TA1046P	.40
1/4	1/2	TA1048	.48	TA1048PP	.41	TA1048P	.40
1/4	5/8	TA10410	1.30	TA10410PP	1.92		
3/8	1/4	TA1064	.45	TA1064PP	.41	TA1064P	.40
3/8	5/16	TA1065	.57	TA1065PP	.43	TA1065P	.40
3/8	3/8	TA1066	.45	TA1066PP	.42	TA1066P	.41
3/8	1/2	TA1068	.46	TA1068PP	.44	TA1068P	.41
3/8	5/8	TA10610	.45	TA10610PP	.43	TA10610P	.41
3/8	3/4	TA10612	.86	TA10612PP	1.06		
1/2	1/4	TA1084	.47	TA1084PP	.44	TA1084P	.47
1/2	3/8	TA1086	.57	TA1086PP	.47	TA1086P	.47
1/2	1/2	TA1088	.61	TA1088PP	.44	TA1088P	.48
1/2	5/8	TA10810	.53	TA10810PP	.46	TA10810P	.48
1/2	3/4	TA10812	.59	TA10812PP	.47	TA10812P	.48
1/2	1	TA10816	1.45	TA10816PP	1.64		
3/4	1/4	TA10124	.58	TA10124PP	.57	TA10124P	.53
3/4	3/8	TA10126	.59	TA10126PP	.56	TA10126P	.53
3/4	1/2	TA10128	.62	TA10128PP	.57	TA10128P	.57
3/4	5/8	TA101210	.63	TA101210PP	.57	TA101210P	.57
3/4	3/4	TA101212	.73	TA101212PP	.58	TA101212P	.57
3/4	1	TA101216	.98	TA101216PP	.91		
3/4	1 1/4	TA101220	2.34	TA101220PP	2.63		
1	3/8	TA10166	1.20	TA10166PP	.85		
1	1/2	TA10168	1.14	TA10168PP	1.15		
1	3/4	TA101612	1.31	TA101612PP	1.08		
1	1	TA101616	1.42	TA101616PP	1.22		
1	1 1/4	TA101620	1.61	TA101620PP	1.43		



Illustration Only
Please call for specific part drawing

ADAPTERS MPT X HB

Mpt	Hb	Nylon	List/E	Polypropylene	List/E
1 1/4	3/4	TA102012	1.89	TA102012PP	1.76
1 1/4	1	TA102016	1.74	TA102016PP	1.70
1 1/4	1 1/4	TA102020	2.05	TA102020PP	1.90
1 1/4	1 1/2	TA102024	2.23	TA102024PP	2.01
1 1/2	3/4	TA102412	3.36	TA102412PP	2.80
1 1/2	1	TA102416	3.36	TA102416PP	2.92
1 1/2	1 1/4	TA102420	2.03	TA102420PP	1.99
1 1/2	1 1/2	TA102424	2.68	TA102424PP	2.22
1 1/2	2	TA102432	9.70	TA102432PP	8.51
2	1 1/2	TA103224	8.23	TA103224PP	7.07
2	2	TA103232	3.56	TA103232PP	3.35
3	3			TA104848PP	18.19
4	4			TA106464PP	45.77



Illustration Only
Please call for specific part drawing

FEMALE ADAPTERS FPT X HB

Fpt	Hb	Nylon	List/E	Polypropylene	List/E
1/8	1/4	TAF1024	2.02	TAF1024PP	1.93
1/8	3/8	TAF1026	2.02	TAF1026PP	1.93
1/4	1/4	TAF1044	2.02	TAF1044PP	1.94
1/4	3/8	TAF1046	1.98	TAF1046PP	1.94
1/4	1/2	TAF1048	1.96	TAF1048PP	1.92
3/8	1/4	TAF1064	1.98	TAF1064PP	1.99
3/8	3/8	TAF1066	1.98	TAF1066PP	1.94
3/8	1/2	TAF1068	1.99	TAF1068PP	1.94
3/8	5/8	TAF10610	2.14	TAF10610PP	1.99
3/8	3/4	TAF10612	2.30	TAF10612PP	2.04
1/2	1/4	TAF1084	2.02	TAF1084PP	2.00
1/2	3/8	TAF1086	2.07	TAF1086PP	2.02
1/2	1/2	TAF1088	1.42	TAF1088PP	1.51
1/2	5/8	TAF10810	2.07	TAF10810PP	2.03
1/2	3/4	TAF10812	2.07	TAF10812PP	2.02
3/4	1/4	TAF10124	2.63	TAF10124PP	2.35
3/4	3/8	TAF10126	2.62	TAF10126PP	2.35
3/4	1/2	TAF10128	2.50	TAF10128PP	2.34
3/4	5/8	TAF101210	2.24	TAF101210PP	2.14
3/4	3/4	TAF101212	2.48	TAF101212PP	2.16
3/4	1			TAF101216PP	4.51
1	1			TAF101616PP	3.81



ELBOWS MPT X HB

Illustration Only
Please call for specific part drawing

<i>Mpt</i>	<i>Hb</i>	<i>Nylon</i>	<i>List/E</i>	<i>Polypropylene</i>	<i>List/E</i>	<i>Polyethylene</i>	<i>List/E</i>
1/8	3/16	TE2023	.86			TE2023P	.66
1/8	1/4	TE2024	.86	TE2024PP	.68	TE2024P	.68
1/8	5/16	TE2025	.88			TE2025P	.68
1/8	3/8	TE2026	.88	TE2026PP	.70	TE2026P	.69
1/4	3/16	TE2043	.85	TE2043PP	.72	TE2043P	.65
1/4	1/4	TE2044	.74	TE2044PP	.71	TE2044P	.69
1/4	5/16	TE2045	.92	TE2045PP	.74	TE2045P	.69
1/4	3/8	TE2046	.87	TE2046PP	.72	TE2046P	.71
1/4	1/2	TE2048	.81	TE2048PP	.73	TE2048P	.71
1/4	5/8	TE20410	1.28	TE20410PP	1.31		
3/8	1/4	TE2064	.82	TE2064PP	.72	TE2064P	.71
3/8	5/16	TE2065	.94	TE2065PP	.81	TE2065P	.71
3/8	3/8	TE2066	.94	TE2066PP	.79	TE2066P	.73
3/8	1/2	TE2068	.83	TE2068PP	.75	TE2068P	.73
3/8	5/8	TE20610	.85	TE20610PP	.83	TE20610P	.74
1/2	1/4	TE2084	.86	TE2084PP	.80	TE2084P	.76
1/2	3/8	TE2086	.87	TE2086PP	.78	TE2086P	.76
1/2	1/2	TE2088	.85	TE2088PP	.78	TE2088P	.76
1/2	5/8	TE20810	1.01	TE20810PP	.98	TE20810P	1.17
1/2	3/4	TE20812	1.07	TE20812PP	1.02	TE20812P	1.28
1/2	1	TE20816	1.55	TE20816PP	1.68	TE20816P	1.49
3/4	1/4	TE20124	1.00	TE20124PP	.89	TE20124P	.91
3/4	3/8	TE20126	1.04	TE20126PP	1.04	TE20126P	1.33
3/4	1/2	TE20128	1.07	TE20128PP	1.03	TE20128P	1.33
3/4	5/8	TE201210	1.09	TE201210PP	1.08	TE201210P	1.33
3/4	3/4	TE201212	1.13	TE201212PP	1.08		
3/4	1	TE201216	1.23	TE201216PP	1.22		
1	1/2	TE20168	1.59	TE20168PP	1.55		
1	5/8	TE201610	1.62	TE201610PP	1.67		
1	3/4	TE201612	1.41	TE201612PP	1.36	TE201612P	1.29
1	1	TE201616	1.41	TE201616PP	1.35		
1	1 1/4			TE201620PP	4.33		

ELBOWS MPT X HB

<i>Mpt</i>	<i>Hb</i>	<i>Nylon</i>	<i>List/E</i>	<i>Polypropylene</i>	<i>List/E</i>
1 1/4	3/4	TE202012	2.53	TE202012PP	2.53
1 1/4	1	TE202016	2.77	TE202016PP	2.53
1 1/4	1 1/4	TE202020	2.93	TE202020PP	2.63
1 1/4	1 1/2	TE202024	2.95	TE202024PP	2.74
1 1/2	3/4	TE202412	2.95	TE202412PP	2.84
1 1/2	1	TE202416	2.95	TE202416PP	2.84
1 1/2	1 1/4	TE202420	3.16	TE202420PP	2.84
1 1/2	1 1/2	TE202424	4.88	TE202424PP	3.72
2	1/1/2			TE203224PP	13.72
2	2	TE203232	5.16	TE203232PP	4.60
3	3			TE204848PP	55.26

ELBOWS FPT X HB

Illustration Only
Please call for specific part drawing

<i>Fpt</i>	<i>Hb</i>	<i>Nylon</i>	<i>List/E</i>	<i>Polypropylene</i>	<i>List/E</i>
1/8	1/4	TEF2024	2.02	TEF2024PP	2.05
1/8	3/8	TEF2026	2.02	TEF2026PP	2.05
1/4	1/4	TEF2044	2.16	TEF2044PP	2.05
1/4	3/8	TEF2046	2.04	TEF2046PP	1.99
3/8	1/4	TEF2064	2.13	TEF2064PP	2.09
3/8	3/8	TEF2066	2.13	TEF2066PP	2.11
3/8	1/2	TEF2068	2.24	TEF2068PP	2.11
1/2	1/4	TEF2084	2.24	TEF2084PP	2.27
1/2	3/8	TEF2086	2.32	TEF2086PP	2.17
1/2	1/2	TEF2088	1.70	TEF2088PP	1.68
1/2	5/8	TEF20810	2.24	TEF20810PP	2.17
1/2	3/4	TEF20812	2.47	TEF20812PP	2.27
3/4	1/2	TEF20128	1.88	TEF20128PP	1.81
3/4	5/8	TEF201210	1.88	TEF201210PP	1.81
3/4	3/4	TEF201212	1.88	TEF201212PP	1.81

ELBOW FPT

<i>Fpt</i>	<i>Fpt</i>	<i>Nylon</i>	<i>List/E</i>	<i>Polypropylene</i>	<i>List/E</i>
3/8	3/8			EL66PP	6.37
1/2	1/2	EL88	3.58	EL88PP	3.93
3/4	3/4	EL1212	4.13	EL1212PP	3.56
1	1	EL1616	6.12	EL1616PP	6.14
1 1/4	1 1/4	EL2020	8.29	EL2020PP	9.21
1 1/2	1 1/2	EL2424	9.87	EL2424PP	14.47
2	2	EL3232	14.45	EL3232PP	14.28
3	3			EL4848PP	72.70

* Natural Polypro



ELBOWS HB X HB

Illustration Only
Please call for specific part drawing

Hb	Hb	Nylon	List/E	Polypropylene	List/E	Polyethylene	List/E
1/4	1/4	TEB2044	.75	TEB2044PP	.66	TEB2044P	.64
3/8	3/8	TEB2066	.78	TEB2066PP	.69	TEB2066P	.68
1/2	1/2	TEB2088	.84	TEB2088PP	.72	TEB2088P	.69
5/8	5/8	TEB201010	.84	TEB201010PP	.84	TEB201010P	.73
3/4	3/4	TEB201212	1.02	TEB201212PP	.99	TEB201212P	1.02
1	1	TEB201616	1.55	TEB201616PP	1.46	TEB201616P	1.49
1 1/4	1 1/4	TEB202020	5.15	TEB202020PP	5.57		
1 1/2	1 1/2	TEB202424	5.56	TEB202424PP	5.32		
2	2	TEB203232	10.23	TEB203232PP	10.37		

Hb	Hb	Nylon	List/E	Polypropylene	List/E	Polyethylene	List/E
3/8	1/4	TEB2064	1.29	TEB2064PP	1.14		
1/2	1/4	TEB2084	.82	TEB2084PP	.92	TEB2084P	.68
1/2	3/8	TEB2086	.85	TEB2086PP	.88	TEB2086P	.69
3/4	5/8	TEB201210	1.37	TEB201210PP	1.30		



HEX HEAD PLUGS MPT

Illustration Only
Please call for specific part drawing

Mpt	Nylon	List/E	Polypropylene	List/E	Polyethylene	List/E
1/8	TP4002	.39	TP4002PP	.36	TP4002P	.36
1/4	TP4004	.46	TP4004PP	.38	TP4004P	.37
3/8	TP4006	.43	TP4006PP	.41	TP4006P	.39
1/2	TP4008	.46	TP4008PP	.45	TP4008P	.43
3/4	TP4012	.60	TP4012PP	.49	TP4012P	.49
1	TP4016	.73	TP4016PP	.66		
1 1/4	TP4020	1.66	TP4020PP	1.54		
1 1/2	TP4024	2.20	TP4024PP	1.86		
2	TP4032	2.98	TP4032PP	2.32		
3			TP4048PP	28.79		
3/4 SQ	STP12	1.64	STP12PP	1.44		



MENDERS HB X HB

Illustration Only
Please call for specific part drawing

Hb	Hb	Nylon	List/E	Polypropylene	List/E	Polyethylene	List/E
1/8	1/8	TC7022	.41			TC7022P	.34
3/16	3/16	TC7033	.43			TC7033P	.32
1/4	1/4	TC7044	.43	TC7044PP	.41	TC7044P	.36
5/16	5/16	TC7055	.43	TC7055PP	.38	TC7055P	.37
3/8	3/8	TC7066	.46	TC7066PP	.44	TC7066P	.37
1/2	1/2	TC7088	.48	TC7088PP	.46	TC7088P	.39
5/8	5/8	TC71010	.55	TC71010PP	.51	TC71010P	.40
3/4	3/4	TC71212	.76	TC71212PP	.64		
1	1	TC71616	.96	TC71616PP	.85		
1 1/4	1 1/4	TC72020	1.86	TC72020PP	2.03		
1 1/2	1 1/2	TC72424	2.76	TC72424PP	2.22		
2	2	TC73232	7.90	TC73232PP	6.98		
3	3			TC74848PP	21.72		

Hb	Hb	Nylon	List/E	Polypropylene	List/E	Polyethylene	List/E
1/4	1/8	TRC8042	.42			TRC8042P	.36
1/4	3/16	TRC8043	.43			TRC8043P	.34
3/8	1/4	TRC8064	.46	TRC8064PP	.40	TRC8064P	.36
3/8	5/16	TRC8065	.46				
1/2	1/4	TRC8084	.41	TRC8084PP	.43	TRC8084P	.39
1/2	3/8	TRC8086	.48	TRC8086PP	.51	TRC8086P	.39
5/8	3/8	TRC80106	.49	TRC80106PP	.47	TRC80106P	.40
5/8	1/2	TRC80108	.49	TRC80108PP	.53	TRC80108P	.40
3/4	1/2	TRC80128	1.18			TRC80128P	.74
3/8	1/4PL					TRC8064PPL	.60



“Y” HB

Illustration Only
Please call for specific part drawing

Hb	Nylon	List/E	Polypropylene	List/E
1/8			TYY222PP*	3.23
3/16			TYY333PP*	4.01
1/4	TYY444	2.54	TYY444PP	2.56
5/16			TYY555PP*	4.69
3/8	TYY666	2.56	TYY666PP	2.60
1/2	TYY888	2.57	TYY888PP	2.61

* Natural Polypro



NIPPLES MPT X MPT

Illustration Only
Please call for specific part drawing

Mpt	Mpt	Nylon	List/E	Polypropylene	List/E	Polyethylene	List/E
1/8	1/8	TN5022	.41	TN5022PP	.40	TN5022P	.37
1/4	1/4	TN5044	.44	TN5044PP	.40	TN5044P	.40
3/8	3/8	TN5066	.46	TN5066PP	.42	TN5066P	.42
1/2	1/2	TN5088	.49	TN5088PP	.46	TN5088P	.46
3/4	3/4	TN51212	.63	TN51212PP	.63		
1	1	TN51616	1.03	TN51616PP	.86		
1 1/4	1 1/4	TN52020	2.01	TN52020PP	1.71		
1 1/2	1 1/2	TN52424	2.94	TN52424PP	2.78		
2	2	TN53232	3.97	TN53232PP	3.87		
3	3			TN504848PP	17.18		
4	4			TN56464PP	32.11		

Mpt	Mpt	Nylon	List/E	Polypropylene	List/E	Polyethylene	List/E
1/4	1/8	TRN6042	.42	TRN6042PP	.39	TRN6042P	.37
3/8	1/8	TRN6062	.47	TRN6062PP	.42	TRN6062P	.39
3/8	1/4	TRN6064	.46	TRN6064PP	.42	TRN6064P	.40
1/2	1/8	TRN6082	.59			TRN6082P	.47
1/2	1/4	TRN6084	.54	TRN6084PP	.44	TRN6084P	.47
1/2	3/8	TRN6086	.53	TRN6086PP	.44	TRN6086P	.48
3/4	3/8	TRN60126	.59	TRN60126PP	.54	TRN60126P	.49
3/4	1/2	TRN60128	.57	TRN60128PP	.56		
1	1/2			TRN60168PP	4.51		
1	3/4			TRN601612PP	4.14		
1 1/4	3/4			TRN602012PP	4.74		
1 1/4	1	TRN602016	2.34	TRN602016PP	4.33		
1 1/2	1			TRN602416PP	5.12		
1 1/2	1 1/4			TRN602420PP	4.60		
2	1 1/4			TRN603220PP	6.23		
2	1 1/2			TRN603224PP	5.07		
3	2			TRN604832PP	17.44		



TEE HB X HB X HB

Illustration Only
Please call for specific part drawing

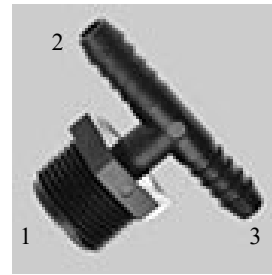
Hb ¹	Hb ²	Hb ³	Nylon	List/E	Polypropylene	List/E	Polyethylene	List/E
1/8	1/8	1/8	TT9222	.86			TT9222P	.66
3/16	3/16	3/16	TT9333	.86			TT9333P	.68
1/4	1/4	1/4	TT9444	.77	TT9444PP	.81	TT9444P	.68
5/16	5/16	5/16	TT9555	.92	TT9555PP	.78	TT9555P	.69
3/8	3/8	3/8	TT9666	.92	TT9666PP	.74	TT9666P	.74
1/2	1/2	1/2	TT9888	.86	TT9888PP	.80	TT9888P	.86
5/8	5/8	5/8	TT9101010	.94	TT9101010PP	.93	TT9101010P	.86
3/4	3/4	3/4	TT9121212	1.04	TT9121212PP	.98	TT9121212P	.92
1	1	1	TT9161616	1.31	TT9161616PP	1.32	TT9161616P	1.07
1 1/4	1 1/4	1 1/4	TT9202020	3.36	TT9202020PP	2.86		
1 1/2	1 1/2	1 1/2	TT9242424	4.05	TT9242424PP	3.66		
2	2	2	TT9323232	10.71	TT9323232PP	10.71		
3	3	3			TT9484848PP	41.74		

Hb ¹	Hb ²	Hb ³	Nylon	List/E	Polypropylene	List/E	Polyethylene	List/E
1/4	3/8	3/8	TT9466	.86	TT9466PP	.81	TT9466P	.77
1/4	1/2	1/2	TT9488	1.00			TT9488P	.77
1/4	5/8	5/8	TT941010	1.01			TT941010P	.78
3/8	1/4	1/4	TT9644	.87			TT9644P	.77
3/8	1/2	1/2	TT9688	.83	TT9688PP	.74	TT9688P	.78
3/8	5/8	5/8	TT961010	1.00	TT961010PP	.97	TT961010P	.86
3/8	3/4	3/4	TT961212	1.17	TT961212PP	1.48		
1/2	3/8	3/8	TT9866	.88	TT9866PP	.80	TT9866P	.78
1/2	5/8	5/8	TT981010	1.02			TT981010P	.78
1/2	3/4	3/4	TT981212	1.16			TT981212P	1.02
3/4	1/2	1/2	TT91288	3.40	TT91288PP	2.82		



TEE FPT X HB

Fpt	Hb	Hb	Nylon	List/E	Polypropylene	List/E
3/4	3/4	3/4	TTF121212	3.57	TTF121212PP	2.72
3/4	1 1/4	1 1/4	TTF122020	3.67	TTF122020PP	3.06



TEE MPT X HB X HB

Illustration Only
Please call for specific part drawing

<i>Mpt¹</i>	<i>Hb²</i>	<i>Hb³</i>	<i>Nylon</i>	<i>List/E</i>	<i>Polypropylene</i>	<i>List/E</i>	<i>Polyethylene</i>	<i>List/E</i>
1/4	1/4	1/4	TT3444	.84	TT3444PP	.83	TT3444P	.71
3/8	3/8	3/8	TT3666	.91	TT3666PP	.83	TT3666P	.76
1/2	1/2	1/2	TT3888	.98	TT3888PP	.96	TT3888P	.87
3/4	3/4	3/4	TT3121212	1.17	TT3121212PP	1.56	TT3121212P	1.35
1	1	1	TT3161616	1.62	TT3161616PP	1.62		

<i>Mpt¹</i>	<i>Hb²</i>	<i>Hb³</i>	<i>Nylon</i>	<i>List/E</i>	<i>Polypropylene</i>	<i>List/E</i>	<i>Polyethylene</i>	<i>List/E</i>
1/8	1/4	1/4	TT3244	.91	TT3244PP	.91	TT3244P	.69
1/4	3/8	3/8	TT3466	.88	TT3466PP	.80	TT3466P	.74
1/4	1/2	1/2	TT3488	.84	TT3488PP	.84	TT3488P	.74
3/8	1/4	1/4	TT3644	.88			TT3644P	.74
3/8	1/2	1/2	TT3688	.92	TT3688PP	.91	TT3688P	.77
1/2	3/8	3/8	TT3866	.98	TT3866PP	.92	TT3866P	.82
1/2	3/4	3/4	TT381212	1.57	TT381212PP	1.18		
1/2	1	1	TT381616	1.68	TT381616PP	1.66		
3/4	1/2	1/2	TT31288	1.53	TT31288PP	1.46		
3/4	5/8	5/8	TT3121010	1.45	TT3121010PP	1.27		
3/4	1	1	TT3121616	1.62	TT3121616PP	1.62		



TEE FPT



GAUGE TEE

Illustration Only
Please call for specific part drawing

<i>Fpt</i>	<i>Nylon</i>	<i>List/E</i>	<i>Polypropylene</i>	<i>List/E</i>
1/4	TT4	3.71	TT4PP	3.17
3/8			TT6PP	6.37
1/2	TT8	3.54	TT8PP	3.07
3/4	TT12	4.98	TT12PP	4.62
1	TT16	8.55	TT16PP	8.65
1 1/4	TT20	11.75	TT20PP	11.95
1 1/2	TT24	13.21	TT24PP	14.28
2	TT32	18.05	TT32PP	17.81
3			TT48PP	84.84

<i>Fpt</i>	<i>Port</i>	<i>Nylon</i>	<i>List/E</i>	<i>Polypropylene</i>	<i>List/E</i>
1/2	1/4	TT84	4.10	TT84PP	3.86
3/4	1/8	TT122	8.56	TT122PP	9.47
3/4	1/4	TT124	5.05	TT124PP	4.64
1	1/4	TT164	10.66	TT164PP	10.36
1 1/4	1/4	TT204	13.78	TT204PP	12.60
1 1/2	1/4	TT244	14.90	TT244PP	16.84
2	1/4	TT324	19.39	TT324PP	19.39



90° STREET ELBOW (SE)



45° STREET ELBOW (SEQ)

Illustration Only
Please call for specific part drawing

<i>Mpt</i>	<i>Fpt</i>	<i>Nylon</i>	<i>List/E</i>	<i>Polypropylene</i>	<i>List/E</i>
1/8	1/8	SE22	2.02	SE22PP	1.95
1/4	1/4	SE44	1.98	SE44PP	1.96
3/8	3/8	SE66	2.02	SE66PP	2.67
1/2	1/2	SE88	2.24	SE88PP	2.00
3/4	3/4	SE1212	3.23	SE1212PP	3.09
1	1	SE1616	6.70	SE1616PP	6.37
1 1/4	1 1/4	SE2020	8.43	SE2020PP	8.74
1 1/2	1 1/2	SE2424	8.97	SE2424PP	8.09
2	2	SE3232	10.82	SE3232PP	9.43
3	3			SE4848PP	74.98

<i>Mpt</i>	<i>Fpt</i>	<i>Nylon</i>	<i>List/E</i>	<i>Polypropylene</i>	<i>List/E</i>
1/4	1/4	SEQ44	3.10	SEQ44PP	3.10
3/4	3/4	SEQ1212	3.15	SEQ1212PP	3.16
1	1			SEQ1616PP	13.95
1 1/4	1 1/4			SEQ2020PP	17.30
1 1/2	1 1/2			SEQ2424PP	18.47
2	2			SEQ3232PP	19.91
3	3			SEQ4848PP	82.37

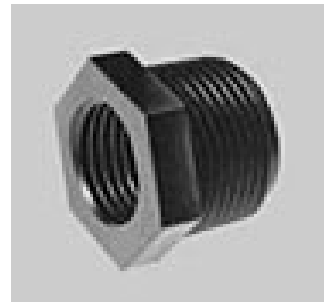


Illustration Only
Please call for specific part drawing

**REDUCER
BUSHINGS
MPT X FPT**

Mpt	Fpt	Nylon	List/E	Polypropylene	List/E
1/4	1/8	RB42	1.23	RB42PP	1.22
3/8	1/8	RB62	1.16	RB62PP	1.15
3/8	1/4	RB64	1.06	RB64PP	1.04
1/2	1/8	RB82	1.22	RB82PP	1.23
1/2	1/4	RB84	1.10	RB84PP	1.18
1/2	3/8	RB86	1.15	RB86PP	1.06
3/4	1/8	RB122	1.12	RB122PP	1.19
3/4	1/4	RB124	1.22	RB124PP	1.29
3/4	3/8	RB126	1.32	RB126PP	1.29
3/4	1/2	RB128	1.19	RB128PP	1.28
1	3/8	RB166	1.95	RB166PP	1.56
1	1/2	RB168	1.76	RB168PP	1.55
1	3/4	RB1612	1.69	RB1612PP	1.33
1 1/4	1/2	RB208	3.51	RB208PP	3.09
1 1/4	3/4	RB2012	3.10	RB2012PP	2.99
1 1/4	1	RB2016	3.10	RB2016PP	2.99
1 1/2	1/2	RB248	5.46	RB248PP	4.93
1 1/2	3/4	RB2412	3.40	RB2412PP	2.99
1 1/2	1	RB2416	3.40	RB2416PP	2.99
1 1/2	1 1/4	RB2420	3.40	RB2420PP	2.99
2	1/2	RB328	6.69	RB328PP	6.37
2	3/4	RB3212	7.06	RB3212PP	6.85
2	1	RB3216	4.78	RB3216PP	4.23
2	1 1/4	RB3220	3.93	RB3220PP	3.61
2	1 1/2	RB3224	3.60	RB3224PP	3.19
3	1 1/2			RB4824PP	27.49
3	2	RB4832	9.34	RB4832PP	9.55



**CROSS
FPT**

Illustration Only
Please call for specific part drawing

Fpt	Polypropylene	List/E
1/4	CR4PP	17.26
3/8	CR6PP	18.93
1/2	CR8PP	29.30
3/4	CR12PP	29.30
1	CR16PP	29.30
1 1/4	CR20PP	43.67
1 1/2	CR24PP	43.67
2	CR32PP	44.60



Illustration Only
Please call for specific part drawing

**COUPLING
FPT**



Fpt	Fpt	Nylon	List/E	Polypropylene	List/E
1/8	1/8	CC22	3.15	CC22PP	3.15
1/4	1/4	CC44	3.15	CC44PP	3.15
1/4	1/4	CC44-S	3.15	CC44PP-S	3.15
3/8	3/8	CC66	3.15	CC66PP	3.15
1/2	1/2	CC88	3.32	CC88PP	3.15
3/4	3/4	CC1212	3.32	CC1212PP	3.15
1	1	CC1616	3.37	CC1616PP	2.70
1 1/4	1 1/4	CC2020	3.89	CC2020PP	3.16
1 1/2	1 1/2	CC2424	4.61	CC2424PP	3.85
2	2	CC3232	5.71	CC3232PP	4.36
3	3			CC4848PP	43.63
Fpt	Fpt	Nylon	List/E	Polypropylene	List/E
1/4	1/8	RC42	3.15	RC42PP	3.15
1/4	1/8	RC42-S	3.15	RC42PP-S	3.15
3/8	1/4	RC64	3.15	RC64PP	3.15
1/2	3/8	RC86	3.30	RC86PP	3.15
3/4	3/8	RC126	3.45	RC126PP	3.30
3/4	1/2	RC128	3.45	RC128PP	3.30
1	3/4			RC1612PP	9.77
1 1/2	1			RC2416PP	16.60
1 1/2	1 1/4			RC2420PP	16.60
2	1			RC3216PP	14.70
2	1 1/4			RC3220PP	17.63
2	1 1/2			RC3224PP	14.70
3	2			RC4832PP	52.14



**CAP
FPT
(HC)**

Illustration Only
Please call for specific part drawing

Fpt	Nylon	List/E	Polypropylene	List/E
1/4	HC4	.39	HC4PP	.36
3/8	HC6	.48	HC6PP	.45
1/2	HC8	.55	HC8PP	.51
3/4	HC12	.61	HC12PP	.57



**SWIVEL
NUT (SN)
INSERT
(SNA)**

Fpt	Hb	Nylon	List/E	Polypropylene	List/E
1/4		SN4 (Nut)	.39	SN4PP(Nut)	.34
	1/4	SNA4(Insert)	.32	SNA4PP(Insert)	.37
3/8		SN6(Nut)	.48	SN6PP(Nut)	.44
	3/8	SNA6(Insert)	.36	SNA6PP(Insert)	.37
1/2		SN8(Nut)	.55	SN8PP(Nut)	.51
	1/4	SNA84(Insert)	.39	SNA84PP(Insert)	.41
	1/2	SNA8(Insert)	.41	SNA8PP(Insert)	.42



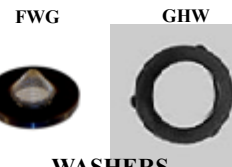
SWIVEL NUTS

Sw Nut	Nylon	List/E	Polypropylene	List/E
FGHT	GHN12	.50	GHN12PP	.49
3/4 FPS	HN12	.51	HN12PP	1.02



SW NUT HB INSERTS

Hb Insert	Nylon	List/E	Polypropylene	List/E
1/4	GHA4	.38	GHA4PP	.39
3/8	GHA6	.38	GHA6PP	.41
1/2	GHA8	.38	GHA8PP	.42
5/8	GHA10	.43	GHA10PP	.43
3/4	GHA12	.43	GHA12PP	.43
1/2 MPT	GHA8-MPT	1.55	GHA8PP-MPT	1.47



WASHERS

Washer	Part#	List/E	Material	Mesh
Flat Washer	GHW	.18	PVC	
Filter Washer	FWG3030	.54	PVC/St Steel	30
Filter Washer	FWG6050	.54	PVC/St Steel	50



GARDEN HOSE CAP

Fght	Nylon	List/E	Polypropylene	List/E
3/4	GHC12	.66	GHC12PP	.58

Illustration Only
Please call for specific part drawing



GFA

Mght	Fpt	Nylon	List/E	Polypropylene	List/E
3/4	1/4	GFA124	2.12	GFA124PP	1.84
3/4	1/2	GFA128	1.86	GFA128PP	1.86
3/4	3/4	GFA1212	1.83	GFA1212PP	1.84



GMA

Fght	Mght	Nylon	List/E	Polypropylene	List/E
3/4	3/4	GMA1212	1.80	GMA1212PP	1.84
3/4	3/4 Mght	FGP12	1.81	FGP12PP	1.84



GHF

Fght	Fpt	Nylon	List/E	Polypropylene	List/E
3/4	1/2	GHF128	1.86	GHF128PP	1.84
3/4	3/4	GHF1212	4.10	GHF1212PP	3.85



GHV2

Fght	Fght	Nylon	List/E	Polypropylene	List/E
3/4	3/4	FGHT1212	3.93	FGHT1212PP	3.70

Fght	Mght	Nylon	List/E
3/4	3/4 (1)	GHV1	3.57
3/4	3/4 (2)	GHV2	4.64

Illustration Only
Please call for specific part drawing



NIPPLE MGHT X MPT

Mpt	Nylon	List/E	Polypropylene	List/E
3/8	GPN6	.63	GPN6PP	.62
1/2	GPN8	.63	GPN8PP	.61
3/4	GPN12	.74	GPN12PP	.62
1	GPN16	.82	GPN16PP	.80



STR. MGHT X HB

Mght	Nylon	List/E	Polypropylene	List/E
3/4	GN12	1.27	GN12PP	1.35

Hb	Nylon	List/E	Polypropylene	List/E
1/4	GA104	.74	GA104PP	.60
3/8	GA106	.63	GA106PP	.59
1/2	GA108	.64	GA108PP	.60
5/8	GA1010	.65	GA1010PP	.61
3/4	GA1012	.71	GA1012PP	.61



ELBOW MGHT X HB

Hb	Nylon	List/E	Polypropylene	List/E
1/4	GE204*	1.38	GE204PP*	1.03
3/8	GE206*	1.17	GE206PP*	1.03
1/2	GE208*	1.16	GE208PP*	1.03
5/8	GE2010*	1.32	GE2010PP*	1.10
3/4	GE2012*	1.48	GE2012PP*	1.10



TEE MGHT X HB

Hb	Nylon	List/E	Polypropylene	List/E
3/8	GT126*	1.73	GT126PP*	1.68
1/2	GT128*	1.83	GT128PP*	1.74
5/8	GT1210*	1.96	GT1210PP*	1.81
3/4	GT1212*	1.96	GT1212PP*	1.86



GARDEN HOSE PLUG

Mght	Nylon	List/E	Polypropylene	List/E
3/4	GHP12	.74	GHP12PP	.74

Illustration Only
Please call for specific part drawing

* Special Order Item. Please Call.



**GARDEN HOSE
CAM LEVER COUPLINGS**

Yellow Fiberglass Polypropylene
Standard 3/4" Opening Diameter
Durable, Rustproof Construction
Easily Connects Hose to Spigot,
Sprinklers, Nozzle or other accessories

Adapt	Fght	Part#	List/E
3/4	3/4	CLGH075A	8.72

Coupl	Mght	Part#	List/E
3/4	3/4	CLGH075B	18.50

Coupl	Fght	Part#	List/E
3/4	3/4	CLGH075D	18.50

Adapt	Mght	Part#	List/E
3/4	3/4	CLGH075F	8.72

Mpt	Fght	Part#	List/E
3/4	3/4	CLGH075MPT	4.15

Fpt	Mght	Part#	List/E
3/4	3/4	CLGH075FPT	4.15

LOW PROFILE



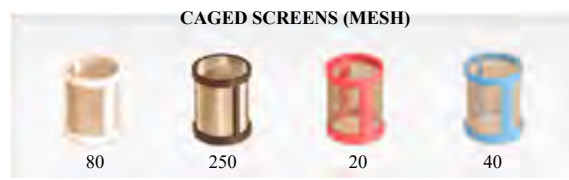
FILTER AREA - 3.95 SQ IN

- POLYPRO (L.P. Standard Assy) ListEA \$ 9.40**
 1. POLY TOP (RVM)
 2. EPDM OR BUNA GASKET (RVM44GB OR E)
 3. 20,40, OR 80 MESH SCREEN (RVM44 __)
 4. CLEAR BOWL (RVM44BC)

- OPTIONS**
 1. FEMALE TOPS (RVLF) add 1.10
 1. BARB TOP (RVB) add .62
 2. VITON GASKET (RVM44GV) add 1.25
 3. 20, 40, OR 80 MESH CAGED SCREEN add .71
 3. 250 MESH CAGED SCREEN add 1.50
 4. POLY BOWL (RVM44BP) add .27

- NYLON (L.P. Standard Assy) ListEA \$ 9.40**
 1. NYLON TOP (RVM)
 2. EPDM OR BUNA GASKET (RVM44GB OR E)
 3. 20,40, OR 80 MESH SCREEN (RVM44 __)
 4. CLEAR BOWL (RVM44BC)

- OPTIONS**
 1. FEMALE TOPS (RVLF) add 2.69
 1. BARB TOP (RVB) add .62
 2. VITON GASKET (RVM44GV) add 1.25
 3. 20, 40, OR 80 MESH CAGED SCREEN add .71
 3. 250 MESH CAGED SCREEN add 1.50
 4. NYLON BOWL (RVM44BN) add 1.32



HOW TO ORDER

1. TOP	MPT(RVM) 1/4(44)	FPT(RVLF) 3/8(66)	HB(RVB) 1/2(88)
2. GASKET	EPDM(E)	VITON(V)	BUNA(B)
3. SCREEN	20M(20)	40M(40)	80M(80)
4. BOWL	POLY(P)	NYLON(N)	CLEAR(C)

EXAMPLE: RVM 44 P E 40 P

MINI STRAINER



FILTER AREA - 7.71 SQ IN

- POLYPRO (Standard Assy) ListEA \$ 12.97**
 1. POLY TOP (RVM)
 2. EPDM OR BUNA GASKET (RVM44GB OR E)
 3. 20 OR 40 MESH SCREEN (RVM445 __)
 4. CLEAR BOWL (RVM445BC)

- OPTIONS**
 1. FEMALE TOPS (RVLF) add 1.10
 1. BARB TOP (RVB) add .62
 2. VITON GASKET (RVM44GV) add 1.25
 3. 80 MESH STAINLESS SCREEN add .49
 3. 20,40, OR 80 MESH CAGED SCREEN add .36
 3. 250 MESH CAGED SCREEN add 1.37
 4. POLY BOWL (RVM445BP) add .84

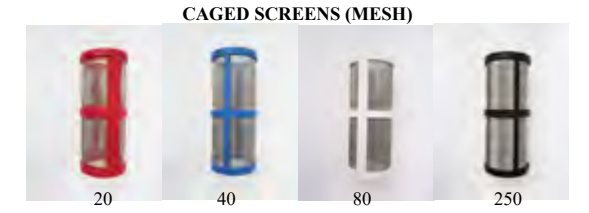
- NYLON (Standard Assy) ListEA \$ 15.66**
 1. NYLON TOP (RVM)
 2. EPDM OR BUNA GASKET (RVM44GB OR E)
 3. 20 OR 40 MESH SCREEN (RVM445 __)
 4. CLEAR BOWL (RVM445BC)

- OPTIONS**
 1. FEMALE TOPS (RVLF) add 2.69
 1. BARB TOP (RVB) add .62
 2. VITON GASKET (RVM44GV) add 1.25
 3. 80 MESH STAINLESS SCREEN add .49
 3. 20,40, OR 80 MESH CAGED SCREEN add .36
 3. 250 MESH CAGED SCREEN add 1.37
 4. NYLON BOWL (RVM445BN) add 6.84

HOW TO ORDER

1. TOP	MPT(RVM) 1/4(445)	FPT(RVLF) 3/8(665)	HB(RVB) 1/2(885)
2. GASKET	EPDM(E)	VITON(V)	BUNA(B)
3. SCREEN	20M(20)	40M(40)	80M(80)
4. BOWL	POLY(P)	NYLON(N)	CLEAR(C)

EXAMPLE: RVM 445 P E 40 P



LOW PROFILE STRAINER PARTS

COMPONENT(1)	SIZE/PORT	NYLON #	LIST/EA	POLYPRO #	LIST/EA	
TOP	1/8" MPT	RVM22TN	3.84	RVM22TP	3.84	
TOP	1/4" MPT	RVM44TN	3.84	RVM44TP	3.84	
TOP	3/8" MPT	RVM66TN	3.84	RVM66TP	3.84	
TOP	1/2" MPT	RVM88TN	3.84	RVM88TP	3.84	
TOP	1/4" HB	RVB44TN	4.46	RVB44TP	4.46	
TOP	3/8" HB	RVB66TN	4.46	RVB66TP	4.46	
TOP	1/2" HB	RVB88TN	4.46	RVB88TP	4.46	
TOP	1/8" FPT	RVLF22TN	6.53	RVLF22TP	4.94	
TOP	1/4" FPT	RVLF44TN	6.53	RVLF44TP	4.94	
TOP	3/8" FPT	RVLF66TN	6.53	RVLF66TP	4.94	
TOP	1/2" FPT	RVLF88TN	6.53	RVLF88TP	4.94	
COMPONENT(2)	MATERIAL	TEMP MIN	COLOR	PART #	LIST/EA	
GASKET	BUNA	0 F	BLACK	RVM44GB	.43	
GASKET	EPDM	-40 F	RED	RVM44GE	.43	
GASKET	VITON	10 F	GREEN	RVM44GV	1.68	
COMPONENT(3)	MATERIAL	MESH*	MICRON+	ID" x L"	PART #	LIST/EA
SCREEN	ST STEEL	20	915	.94 x 1.34	RVM4420	1.81
SCREEN	ST STEEL CAGED	20	915	"	RVM4420C	2.52
SCREEN	ST STEEL	40	480	"	RVM4440	1.81
SCREEN	ST STEEL CAGED	40	480	"	RVM4440C	2.52
SCREEN	ST STEEL	80	178	"	RVM4480	1.81
SCREEN	ST STEEL CAGED	80	178	"	RVM4480C	2.52
SCREEN	ST STEEL	100	80	"	RVM44100	4.27
SCREEN	ST STEEL	250	40	"	RVM44250	4.81
SCREEN	ST STEEL CAGED	250	40	"	RVM44250C	3.31
SCREEN	POLYETH	90			RVM4490PE	3.22
COMPONENT(4)	MATERIAL	PART #	LIST/EA			
BOWL	NYLON	RVM44BN	4.63			
BOWL	POLYPRO	RVM44BP	3.58			
BOWL	CLEAR NYLON	RVM44BC	3.31			

*Mesh is defined as the number of wires per linear inch measured from center of wire to center of wire.
 †Micron is defined as one thousandth of a millimeter.

MINI STRAINER PARTS

COMPONENT(1)	SIZE/PORT	NYLON #	LIST/EA	POLYPRO #	LIST/EA	
TOP	1/8" MPT	RVM22TN	3.84	RVM22TP	3.84	
TOP	1/4" MPT	RVM44TN	3.84	RVM44TP	3.84	
TOP	3/8" MPT	RVM66TN	3.84	RVM66TP	3.84	
TOP	1/2" MPT	RVM88TN	3.84	RVM88TP	3.84	
TOP	1/4" HB	RVB44TN	4.46	RVB44TP	4.46	
TOP	3/8" HB	RVB66TN	4.46	RVB66TP	4.46	
TOP	1/2" HB	RVB88TN	4.46	RVB88TP	4.46	
TOP	1/8" FPT	RVLF22TN	6.53	RVLF22TP	4.94	
TOP	1/4" FPT	RVLF44TN	6.53	RVLF44TP	4.94	
TOP	3/8" FPT	RVLF66TN	6.53	RVLF66TP	4.94	
TOP	1/2" FPT	RVLF88TN	6.53	RVLF88TP	4.94	
COMPONENT(2)	MATERIAL	TEMP MIN	COLOR	PART #	LIST/EA	
GASKET	BUNA	0 F	BLACK	RVM44GB	.43	
GASKET	EPDM	-40 F	RED	RVM44GE	.43	
GASKET	VITON	10 F	GREEN	RVM44GV	1.68	
COMPONENT(3)	MATERIAL	MESH*	MICRON+	ID" x L"	PART #	LIST/EA
SCREEN	ST STEEL	20	915	.94 x 2.63	RVM44520	2.56
SCREEN	ST STEEL CAGED	20	915	"	RVM44520C	2.92
SCREEN	ST STEEL	40	480	"	RVM44540	2.56
SCREEN	ST STEEL CAGED	40	480	"	RVM44540C	2.92
SCREEN	ST STEEL	80	178	"	RVM44580	3.05
SCREEN	ST STEEL CAGED	80	178	"	RVM44580C	2.92
SCREEN	ST STEEL	250	40	"	RVM445250	12.97
SCREEN	ST STEEL CAGED	250	40	"	RVM445250C	3.93
COMPONENT(4)	MATERIAL	PART #	LIST/EA			
BOWL	NYLON	RVM445BN	7.28			
BOWL	POLYPRO	RVM445BP	6.97			
BOWL	CLEAR NYLON	RVM445BC	6.13			

*Mesh is defined as the number of wires per linear inch measured from center of wire to center of wire.
 †Micron is defined as one thousandth of a millimeter.

INTERMEDIATE



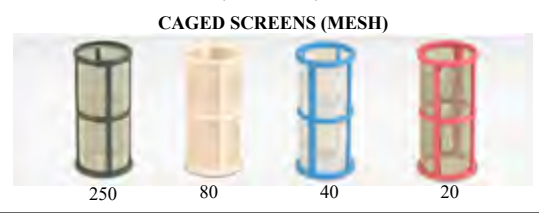
FILTER AREA - 17.33 SQ IN

- POLYPRO (Standard Assembly) List/EA \$ 15.22**
1. POLY TOP (RVF)
 2. EPDM GASKET(RVF66GE)
 3. 20 OR 40 MESH SCREEN(RVF66__)
 4. POLY BOWL(RVF66BP)

- OPTIONS**
1. TAB TOP (RVT) add .84
 2. BUNA GASKET (RVF66GB) add .35
 2. VITON GASKET (RVF66GV) add 2.95
 3. 80 MESH SCREEN (RVF6680S) add .75
 3. 20,40, OR 80 MESH CAGED SCREEN add .22
 3. 100 MESH SCREEN (RVF66100) add 1.90
 3. 250 MESH CAGED SCREEN (RVF66250C) add 2.52
 3. CAGED POLY SCREEN (RVF66_P) add 4.46
 4. CLEAR NYLON BOWL (RVF66BC) add 7.23

- NYLON (Standard Assembly) List/EA \$ 21.35**
1. NYLON TOP (RVF)
 2. EPDM OR BUNA GASKET(RVF66GB OR E)
 3. 20 OR 40 MESH SCREEN(RVF66__)
 4. NYLON BOWL (RVF66BN)

- OPTIONS**
2. BUNA GASKET (RVF66GB) add .35
 2. VITON GASKET (RVF66GV) add 2.95
 3. 80 MESH SCREEN (RVF6680S) add .75
 3. 20, 40, OR 80 MESH CAGED SCREEN add .22
 3. 100 MESH SCREEN (RVF66100) add 1.90
 3. 250 MESH CAGED SCREEN (RVF66250C) add 2.52
 4. CLEAR NYLON BOWL (RVF66BC) add 5.07



CAGED SCREENS (MESH)

250 80 40 20

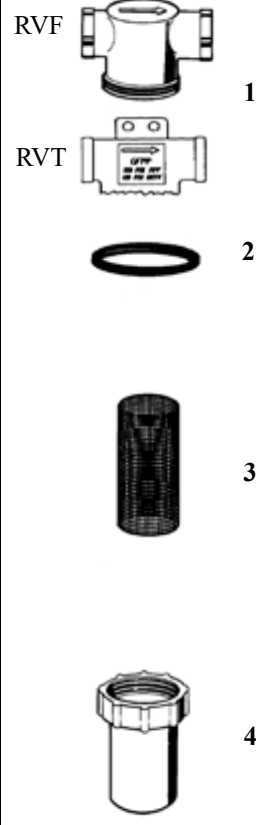
HOW TO ORDER

1. TOP	FPT(RVF)	TAB(RVT-POLY ONLY)	
	3/8"(66)	1/2"(88)	3/4"(1212)
	POLY(P)	NYLON(N)	
2. GASKET	EPDM(E)	VITON(V)	BUNA(B)
3. SCREEN	20M(20)	40M(40)	80M(80)
4. BOWL	POLY(P)	NYLON(N)	CLEAR(C)

EXAMPLE: RVF 88 N V 40 C

INTERMEDIATE STRAINER PARTS

COMPONENT(1)	SIZE/PORT	NYLON #	PRICE	POLYPRO #	LIST/EA	
TOP	3/8" FPT	RVF66TN	9.35	RVF66TPN	5.38	
TOP	1/2" FPT	RVF88TN	9.35	RVF88TPN	5.38	
TOP	3/4" FPT	RVF1212TN	9.35	RVF1212TPN	5.38	
TOP	1" FPT	RVF1616TN*	9.35	RVF1616TP*	5.38	
TOP	3/8" FPT TAB	RVT66TP	6.22			
TOP	1/2" FPT TAB	RVT88TP	6.22			
TOP	3/4" FPT TAB	RVT1212TP	6.22			
COMPONENT(2)	MATERIAL	TEMP MIN	COLOR	PART #	LIST/EA	
GASKET	BUNA	0 F	BLACK	RVF66GB	.93	
GASKET	EPDM	-40 F	RED	RVF66GE	.58	
GASKET	VITON	10 F	GREEN	RVF66GV	3.53	
COMPONENT(3)	MATERIAL	MESH*	MICRON+	ID" x L"	PART #	LIST/EA
SCREEN	ST STEEL	20	915	1.49 x 3.75	RVF6620S	3.44
SCREEN	ST STEEL	40	480	"	RVF6640S	3.44
SCREEN	ST STEEL	80	178	"	RVF6680S	4.19
SCREEN	ST STEEL	100	80	"	RVF66100	5.34
SCREEN	ST STEEL	250	40	"	RVF66250	16.27
SCREEN	POLYETHYLENE	90		1.00 x 3.52	RVF6690PE	6.31
SCREEN	CAGED ST	20	915	1.49 x 3.75	RVF6620C	3.66
SCREEN	CAGED ST	40	480	"	RVF6640C	3.66
SCREEN	CAGED ST	80	178	"	RVF6680C	3.66
SCREEN	CAGED ST	250	40	"	RVF66250C	5.96
SCREEN	CAGED POLY	20	915	"	RVF6620P	7.90
SCREEN	CAGED POLY	40	480	"	RVF6640P	7.90
SCREEN	CAGED POLY	80	178	"	RVF6680P	7.90
*Mesh is defined as the number of wires per linear inch measured from center of wire to center of wire.						
+Micron is defined as one thousandth of a millimeter						
COMPONENT(4)	MATERIAL	COLOR	PART #	LIST/EA		
BOWL	NYLON	WHITE	RVF66BN	7.99		
BOWL	POLYPRO	BLACK	RVF66BP	5.83		
BOWL	CLEAR NYLON	CLEAR	RVF66BC	13.06		



LARGE STRAINER



FILTER AREA:
1" - 29.73 SQ IN
1 1/4" - 31.84 SQ IN
1 1/2" - 38.27 SQ IN

- HOW TO ORDER**
- | | | | |
|-----------|---------|------------|------------|
| 1. TOP | FPT=RVF | | |
| | 1=1616 | 1 1/4=2020 | 1 1/2=2424 |
| | POLY=P | NYLON=N | |
| 2. GASKET | EPDM=E | VITON=V | BUNA=B |
| 3. SCREEN | 20M=20 | 40M=40 | 80M=80 |
| 4. BOWL | POLY=P | NYLON=N | CLEAR=C |
- EXAMPLE: RVF 1616 N V 40 N
PLEASE NOTE: ALL LARGE STRAINERS USE THE SAME GASKET & BOWL

- POLYPRO (Std Assembly) List/EA**
1. POLY TOP 1" \$ 29.59
 2. EPDM OR BUNA GASKET 1 1/4" \$ 30.12
 3. 20 OR 40 MESH SCREEN 1 1/2" \$ 30.56
 4. POLY BOWL(RVF1616BP)

- OPTIONS**
2. VITON GASKET (RVF1616GV) add 3.92
 3. 20, 40, OR 80 MESH CAGED SCREEN (1") add 2.30
 3. 20, 40, OR 80 MESH CAGED SCREEN (1 1/4") add 1.99
 3. 20, 40, OR 80 MESH CAGED SCREEN (1 1/2") add 1.77
 4. CLEAR NYLON BOWL (RVF1616BC) add 14.42

- NYLON (Std Assembly) List/EA**
1. NYLON TOP 1" \$ 41.05
 2. EPDM OR BUNA GASKET 1 1/4" \$ 41.58
 3. 20 OR 40 MESH SCREEN 1 1/2" \$ 42.02
 4. NYLON BOWL(RVF1616BN)

- OPTIONS**
2. VITON GASKET (RVF1616GV) add 3.92
 3. 20, 40, OR 80 MESH CAGED SCREEN (1") add 2.30
 3. 20, 40, OR 80 MESH CAGED SCREEN (1 1/4") add 1.99
 3. 20, 40, OR 80 MESH CAGED SCREEN (1 1/2") add 1.77
 4. CLEAR NYLON BOWL (RVF1616BC) add 8.20

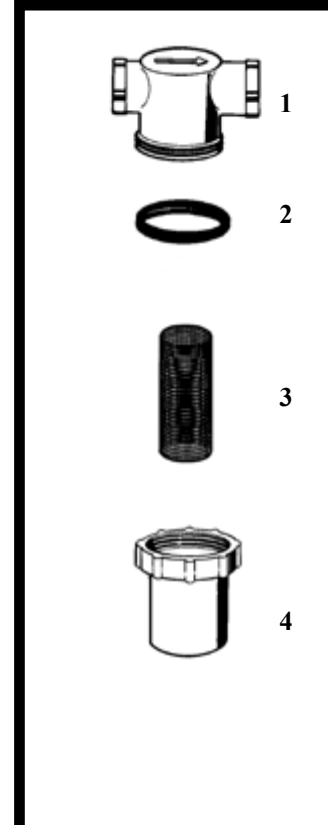



CAGED SCREENS (MESH)

20 40 80

LARGE STRAINER PARTS


COMPONENT(1)	SIZE/PORT	NYLON #	PRICE	POLYPRO #	LIST/EA	
TOP	1" FPT	RVF1616TN	19.67	RVF1616TP	14.42	
TOP	1 1/4" FPT	RVF2020TN	19.67	RVF2020TP	14.42	
TOP	1 1/2" FPT	RVF2424TN	19.67	RVF2424TP	14.42	
COMPONENT(2)	MATERIAL	TEMP MIN	COLOR	PART #	LIST/EA	
GASKET	BUNA	0 F	BLACK	RVF1616GB	.89	
GASKET	EPDM	-40 F	RED	RVF1616GE	.89	
GASKET	VITON	10 F	GREEN	RVF1616GV	4.81	
COMPONENT(3)	MATERIAL	MESH*	MICRON+	ID" x L"	PART #	LIST/EA
SCREEN-1"	ST STEEL	20	915	2.24 x 4.24	RVF161620	4.72
SCREEN-1"	ST STEEL CAGED	20	915	"	RVF161620C	7.02
SCREEN-1"	ST STEEL	40	480	"	RVF161640	4.72
SCREEN-1"	ST STEEL CAGED	40	480	"	RVF161640C	7.02
SCREEN-1"	ST STEEL CAGED	80	178	"	RVF161680C	7.02
SCREEN-1 1/4"	ST STEEL	20	915	2.24 x 4.54	RVF202020	5.25
SCREEN-1 1/4"	ST STEEL CAGED	20	915	"	RVF202020C	7.24
SCREEN-1 1/4"	ST STEEL	40	480	"	RVF202040	5.25
SCREEN-1 1/4"	ST STEEL CAGED	40	480	"	RVF202040C	7.24
SCREEN-1 1/4"	ST STEEL CAGED	80	178	"	RVF202080C	7.24
SCREEN-1 1/2"	ST STEEL	20	915	2.24 x 5.45	RVF242420	5.69
SCREEN-1 1/2"	ST STEEL CAGED	20	915	"	RVF242420C	7.46
SCREEN-1 1/2"	ST STEEL	40	480	"	RVF242440	5.69
SCREEN-1 1/2"	ST STEEL CAGED	40	480	"	RVF242440C	7.46
SCREEN-1 1/2"	ST STEEL CAGED	80	178	"	RVF242480C	7.46
*Mesh is defined as the number of wires per linear inch measured from center of wire to center of wire.						
+Micron is defined as one thousandth of a millimeter						
COMPONENT(4)	MATERIAL	COLOR	PART #	LIST/EA		
BOWL	NYLON	WHITE	RVF1616BN	15.79		
BOWL	POLYPRO	BLACK	RVF1616BP	9.57		
BOWL	CLEAR NYLON	CLEAR	RVF1616BC	23.99		





SUCTION LINE STRAINERS
MOLDED PVC BASE
ST. STEEL SCREENS

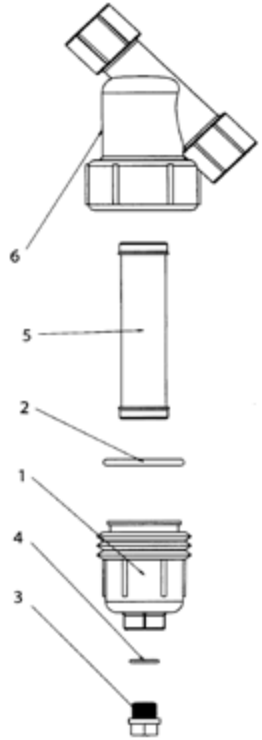
Fpt	Mesh	Part #	List/E
1/4	20	RV663-20	4.90
1/4	40	RV663	4.90
1/4	80	RV663-80	4.90
1/4	100	RV663-100	5.35
3/8	40	RV6631	5.40
3/8	80	RV6631-80	5.40
1/2	40	RV6632	6.45
1/2	80	RV6632-80	6.45
3/4	40	RV6633	7.05
1	40	RV6634	10.25
1 1/2	40	RV6636	12.10



Y STRAINERS
POLYPROPYLENE BODY
EPDM GASKET
(VITON AVAILABLE)
ST. STEEL SCREENS
FPT THREADS

Fpt	Part #	List/E
1/2	YST88PE_P	60.31
3/4	YST1212PE_P	60.31
1	YST1616PE_P	60.31
1 1/4	YST2020PE_P	60.31
1 1/2	YST2424PE_P	132.73
2	YST3232PE_P	132.73
3	YST4848PE_P	804.19

Please specify screen when ordering. See parts list below for sizes.



Y STRAINER PARTS

COMPONENT(1,2,6)	SIZE	PART #	LIST/E	
BODY, CAP & EPDM GASKET	1/2	YST88-B/C	29.69	
BODY, CAP & EPDM GASKET	3/4	YST1212-B/C	29.69	
BODY, CAP & EPDM GASKET	1	YST1616-B/C	29.69	
BODY, CAP & EPDM GASKET	1 1/4	YST2020-B/C	29.69	
BODY, CAP & EPDM GASKET	1 1/2	YST2424-B/C	66.61	
BODY, CAP & EPDM GASKET	2	YST3232-B/C	66.61	
BODY, CAP & EPDM GASKET	3	YST4848-B/C	598.37	
COMPONENT(2) MATERIAL	SIZE	PART #	LIST/E	
GASKET VITON	1/2 & 3/4	YST88-GV	9.47	
GASKET VITON	1 & 1 1/4	YST1616-GV	10.93	
GASKET VITON	1 1/2 & 2	YST2424-GV	21.67	
GASKET VITON	3	YST4848-GV	57.62	
COMPONENT(5) MAT	SIZE	MESH MICRON	PART #	LIST/E
SCREEN ST STEEL	1/2 & 3/4	20 841	YST88-20	37.71
SCREEN "	"	40 446	YST88-40	34.32
SCREEN "	"	80 177	YST88-80	37.71
SCREEN ST STEEL	1 & 1 1/4	20 841	YST1616-20	37.71
SCREEN "	"	40 446	YST1616-40	37.71
SCREEN "	"	80 177	YST1616-80	34.32
SCREEN ST STEEL	1 1/2 & 2	6 3360	YST3232-6	74.67
SCREEN "	"	8 2380	YST3232-8	73.70
SCREEN "	"	12 1680	YST3232-12	67.84
SCREEN "	"	20 841	YST3232-20	67.84
SCREEN "	"	30 595	YST3232-30	67.84
SCREEN "	"	50 297	YST3232-50	67.84
SCREEN "	"	80 177	YST3232-80	67.84
SCREEN "	"	120 116	YST3232-120	74.67
SCREEN POLYPRO	"	20 841	YST3232-20P	67.84
SCREEN POLYPRO	"	50 297	YST3232-50P	67.84
SCREEN ST STEEL	3	4	YST4848-4	224.76
SCREEN "	"	8 2380	YST4848-8	224.76
SCREEN "	"	12 1680	YST4848-12	224.76
SCREEN "	"	20 841	YST4848-20	204.32
SCREEN "	"	50 297	YST4848-50	204.32



NOZZLE STRAINERS
POLYPRO BODY
ST. STEEL SCREENS

Mesh	Part #	List/E
50 (Blue)	MC55550	1.32
100 (Green)	MC555100	1.32
200	MC555200	2.98
50/Check	MC55550C	3.05
100/Check	MC555100C	3.05
200/Check	MC555200C	4.92



BOOM CLAMPS, STEEL

Size	Part #	List/E
1" SQ	B111C	2.98
1 1/4" SQ	B1114C	3.07
3/4" RD	B1134RC	2.72
1" RD	B111RC	2.98



NO DRIP NOZZLE FITTINGS

Hb/Type	Part #	List/E
1/2" Elbow	DFNTL12	15.98
3/4" Elbow	DFNTL34	15.98
1/2" Tee	DFNTT12	15.98
3/4" Tee	DFNTT34	15.98



AGITATOR & TEE

Description	Part #	List/E
Agitator	T10VHPP	5.55
Agitator Tee	T34TEPP	7.25
Short Tee	T34TESPP	3.64
Extension	T34TEXPP	3.36



12V VALVE
NYLON BODY, SANTO DIAPHRAGM, VITON "O" RINGS, 150 PSI MAX

Description	Part #	List/E
1 FP Valve	EVC700	132.30
Diaphragm	EVC700-D	10.77
Solenoid	EVC700-S	71.55



COMBINATION TANK ADAPT

Nylon	List/E	Polypropylene	List/E
T20CM	14.43	T20CMPP	14.30



MANIFOLD

Fpt	Fpt	Part #	List/E
3/4" In	1/2" Out	M1284	53.44



NOZZLE ELBOW



NOZZLE TEE



NOZZLE CROSS



NOZZLE STRAIGHT

Hb	Nylon	List/E	Polypropylene	List/E
1/4	T014EL	1.48	T014ELPP	1.27
3/8	T01EL	1.11	T01ELPP	1.19
1/2	T03EL	1.14	T03ELPP	1.23
5/8	T05EL	1.38	T05ELPP	1.27
3/4	T04EL	1.35	T04ELPP	1.69
Hb	Nylon	List/E	Polypropylene	List/E
3/8	T01TE	1.33	T01TEPP	1.26
1/2	T03TE	1.39	T03TEPP	1.33
5/8	T05TE	2.38	T05TEPP	3.45
3/4	T04TE	1.89	T04TEPP	1.77
Hb	Nylon	List/E	Polypropylene	List/E
3/8	T01CR	1.54	T01CRPP	1.90
1/2	T03CR	1.82	T03CRPP	1.96
3/4	T04CR	3.03	T04CRPP	2.72
Hb	Nylon	List/E	Polypropylene	List/E
3/8	T01ST	.86	T01STPP	.86
1/2	T03ST	.86	T03STPP	.88
3/4	T04ST	1.65	T04STPP	1.63

NOTE: ALL NOZZLE FITTINGS INCLUDE LOCKNUT (T03NT)



T03CA



T36_



T03NT



T0_AD



NN_F



NN_

Part	Nylon	List/E	Polypropylene	List/E	
Nozzle Sw Nut	T03CA	.36	T03CAPP	.39	
Winged Sw Nut	T03WG	.84	T03WGPP	.86	
Hb	Nylon	List/E	Polypropylene	List/E	
1/4	T3614	.46	T3614PP	.41	
3/8	T3638	.45	T3638PP	.39	
1/2	T3612	.50	T3612PP	.45	
Part	Nylon	List/E	Polypropylene	List/E	
Locknut	T03NT	.25	T03NTPP	.24	
Nozzle Cap	T03BL	.38	T03BLPP	.42	
Blank Disc			T03PLPP	.57	
Washer	T03WA	.32	T03WAPP	.32	
Thr	Fpt	Nylon	List/E	Polypropylene	List/E
Fnbt	1/8	T02AD	1.06	T02ADPP	1.06
Fnbt	1/4	T03AD	1.06	T03ADPP	1.05
Thr	Fpt	Nylon	List/E	Polypropylene	List/E
Mnbt	1/8	NN2F	1.66	NN2FPP	1.59
Mnbt	1/4	NN4F	1.66	NN4FPP	1.59
Thr	Mpt	Nylon	List/E	Polypropylene	List/E
Mnbt	1/4	NN4	.54	NN4PP	.49
Mnbt	1/2	NN8	.61	NN8PP	.51

PUMPS

PUMP#	VOLTS	GPM/PSI	STYLE	VALVES	DIAPHRAGM	LIST/EA
8000543236	12V	1.8/60	SWITCH	VITON	SANTOPRENE	207.50
8007543836	12V	1.8/60	SW/FUSE	VITON	SANTOPRENE	254.36
8006543250	12V	1.8/45	BYPASS	VITON	SANTOPRENE	223.77
8006591250	12V	.18/45	BYPASS	VITON	SANTOPRENE	205.00
8005233236	115V	1.4/60	SWITCH	EPDM	SANTOPRENE	311.05
8000933250	115V	1.4/45	BYPASS	EPDM	SANTOPRENE	246.82
2088343135	12V	3.0/45	SWITCH	VITON	SANTOPRENE	289.55
2088514144	12V	4.0/45	SWITCH	SANTO	SANTOPRENE	406.14
2088514500	12V	4.0/45	BYPASS	SANTO	SANTOPRENE	383.86
2088594154	115V	3.3/45	SWITCH	SANTO	SANTOPRENE	326.27
50591311D011	12V	5.3/60	SWITCH	VITON	SANTOPRENE	465.00
50593611D011	115V	5.3/60	BYPASS	VITON	SANTOPRENE	465.00
DHP2	12V	7.0/45	SWITCH	VITON	SANTOPRENE	715.00



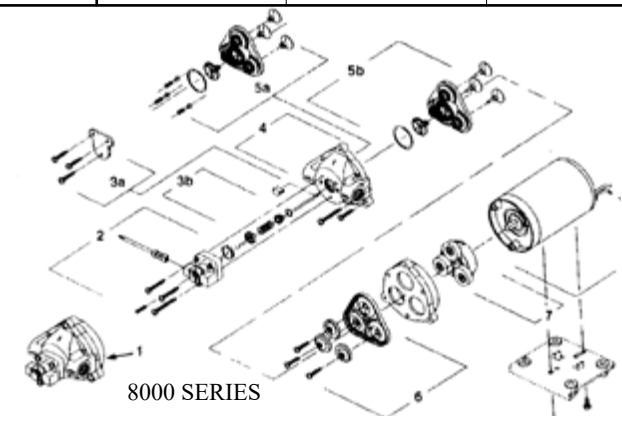
8000 SERIES



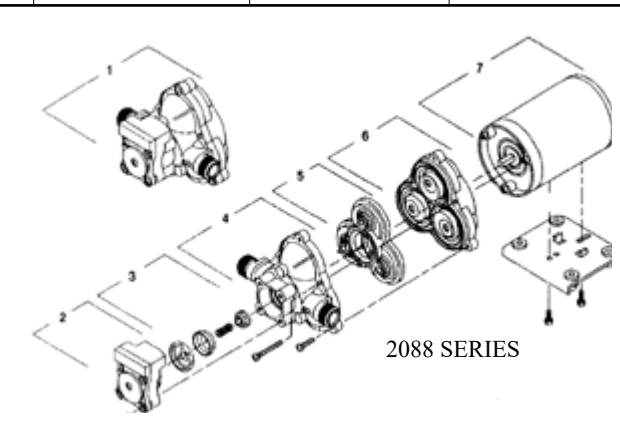
2088 SERIES

REPLACEMENT PARTS

PUMP#	SWITCH KIT(2)		CHECK VALVE(3)		HOUSING(4)		VALVES-VITON(5)		VALVES-EPDM(5)		DIAPHRAGM(6)	
	PART#	LIST	PART#	LIST	PART#	LIST	PART#	LIST	PART#	LIST	PART#	LIST
8000543236	9437505	56.73	9437405	22.41	9437900	32.27	9439005	77.77	9439006	38.00	9439506	37.82
8007543236	9437505	56.73	9437405	22.41	9437900	32.27	9439005	77.77	9439006	38.00	9439506	37.82
8005233236	9437505	56.73	9437405	22.41	9437900	32.27	9439005	77.77	9439006	38.00	9439506	37.82
8006543250			9437405	22.41	9437900	32.27	9439109	77.77	9439106	38.00	9439506	37.82
8006591250			9437405	22.41	9437900	32.27	9439109	77.77	9439106	38.00	9439506	37.82
8000933250			9437405	22.41	9437900	32.27	9439109	77.77	9439106	38.00	9439506	37.82
2088343135	9423055	61.77	9423705	45.73	9423130	27.55	9423205	97.00			9423803	69.55
2088514144	9423055	61.77	9423705	45.73	9423130	27.55	9423205	97.00			9423803	69.55
2088594154	9423055	61.77	9423705	45.73	9423130	27.55	9423205	97.00			9423803	69.55
2088514500			9423705	45.73	9423130	27.55	9423205	97.00			9423803	69.55




8000 SERIES




2088 SERIES

SWIVEL-STRAIGHT			SWIVEL-ELBOW		
HB	Part #	List	HB	Part #	List
3/8	807100	2.36	3/8	806000	2.18
1/2	807000	2.18	1/2	803400	2.18
5/8	815401	4.27	5/8	815501	2.64
3/4	815601	2.68	3/4	815701	2.68



**GAUGES
1/4" LM
BRASS
INTERNALS**

Psi	Size	Dry #	List/E	Liq #	List/E	NH3#	List/E
0-15	2 1/2	SG15	10.41	GG15	28.45		
0-30	2 1/2	SG30	10.41	GG30	28.45		
0-60	2 1/2	SG60	10.41	GG60	28.45	AG60	27.58
0-100	2 1/2	SG100	10.41	GG100	28.45		
0-160	2 1/2	SG160	10.41	GG160	28.45	AG160	27.58
0-200	2 1/2	SG200	10.41	GG200	28.45		
0-300	2 1/2	SG300	10.41	GG300	28.45		
0-400	2 1/2	SG400	10.41	GG400	28.45	AG400	27.58
0-600	2 1/2	SG600	10.41	GG600	28.45		
0-1000	2 1/2	SG1000	10.41	GG1000	28.45		
0-2000	2 1/2	SG2000	10.41	GG2000	28.45		
0-3000	2 1/2	SG3000	10.41	GG3000	28.45		
0-5000	2 1/2	SG5000	10.41	GG5000	28.45		
0-60	4	SG604	22.84	GG604	89.69		
0-100	4	SG1004	22.84	GG1004	89.69		
0-200	4	SG2004	22.84	GG2004	89.69		
Pigtail Protector		PGP	44.21				




BULKHEAD FITTINGS

Fpt	Hole	Part#	List/E	Gasket	List/E
1/2	1 3/8	BF8	14.79	BF8G	4.30
3/4	1 3/8	BF12	14.79	BF8G	4.30
1	1 3/4	BF16	19.26	BF16G	5.37
1 1/4	2	BF20	20.27	BF20G	6.12
1 1/2	3	BF24	28.92	BF24G	9.28
2	3	BF32	27.84	BF24G	9.28
3	4 1/2	BF48	72.60	BF48G	15.25


Replacement Gaskets

20% GLASS FILLED POLYPROPYLENE WITH SANTROPENE GASKET



**NYLON
TIE STRAPS
BLACK UV
RESISTANT**


Length	Width	Part#	List/E
3 3/4	.090	NS4BUV	.07
6	.135	NS6BUV	.08
8 1/4	.135	NS8BUV	.14
11 1/4	.190	NS12BUV	.38
14 1/4	.190	NS14BUV	.78
17 1/2	.310	NS17BUV	1.08
21 1/2	.310	NS21BUV	1.24
28	.310	NS28BUV	1.49
36 1/2	.360	NS36BUV	1.84




EZT024

Desc	Part#	List/E
16 Gal	EZT016	395.39
24 Gal	EZT024	419.99


16 & 24 Gallon tank designed for ATV's
Wrap-around design allows for a low CG
Complete drainage from twin sumps
Easy mounting & dismounting of sprayer
because controls and booms are mounted to tank,
not ATV rack



**WORM DRIVE
CLAMPS**
(All St Steel)



**T-BOLT
CLAMPS**
(St. Steel
Band & Bolt)



**PLASTIC
CLAMPS**
-Black Nylon
-Double Teeth

Max" Min" Part#				Max" Min" Part#				Max" Min" Part#			
5/8	7/32	SSC4	1.29	1.87	1.62	TSSC20	12.70	.276	.220	SCA	.59
11/16	7/16	SSC5	1.28	2.06	1.81	TSSC24	12.70	.323	.256	SCAA	.59
7/8	5/16	SSC6	1.28	2.18	1.93	TSSC24A	12.70	.433	.358	SCBB	.60
1	7/16	SSC8	1.79	2.50	2.18	TSSC32	12.70	.500	.413	SCC	.62
1 1/4	9/16	SSC12-N	2.14	2.62	2.31	TSSC32A	12.70	.583	.480	SCD	.64
NOTE: Above have 1/3" band				2.81	2.50	TSSC32B	12.70	.646	.524	SCE	.76
				3.18	2.87	TSSC32C	12.70	.717	.594	SCF	.76
				3.62	3.31	TSSC48	12.70	.795	.673	SCG	.77
1	7/16	SSC8-HD	1.62	3.75	3.43	TSSC48A	12.70	.870	.732	SCH	.78
1 1/4	9/16	SSC12	1.79	4.56	4.25	TSSC64	19.30	.949	.803	SCJ	.84
1 1/2	11/16	SSC16	1.86	4.76	4.38	TSSC64A	32.19	1.031	.886	SCK	1.05
1 3/4	3/4	SSC20	1.93	4.94	4.56	TSSC64B	32.19	1.130	.976	SCL	.94
2	1 1/16	SSC24	2.07					1.220	1.055	SCM	.94
2 1/4	1 5/16	SSC28	2.10					1.319	1.150	SCN	1.27
2 1/2	1 9/16	SSC32	2.22					1.437	1.283	SCP	1.68
2 3/4	1 13/16	SSC36	2.32					1.551	1.382	SCQ	1.70
3	2 1/6	SSC40	3.40					1.665	1.496	SCR	1.35
3 1/2	2 9/16	SSC48	3.27					1.772	1.610	SCS	1.76
4 1/2	2 1/2	SSC64	3.96					1.913	1.744	SCT	1.76
NOTE: Above have 1/2" band								2.028	1.843	SCU	1.94
								2.146	1.965	SCV	1.47
								2.283	2.091	SCW	2.03
								2.398	2.161	SCX	2.12

MEASURE
OUTSIDE
DIAMETER
OF HOSE FOR
PROPER
CLAMP SIZE

EVA TUBING				CLEAR VINYL TUBING (CVTB=Braided)				EPDM RUBBER HOSE			
Id	Ft/Roll	Part#	List/	Id	Ft/Roll	Part#	List/	Id	Ft/Roll	Part#	List/
1/4	1000	EVA44	.81	1/4	100	CVT44	1.00	1/4	700	SB44	1.00
3/8	500	EVA66	1.03	3/8	100	CVT66	1.22	3/8	700	SB66	1.23
1/2	300	EVA88	1.27	1/2	100	CVT88	1.52	1/2	700	SB88	1.68
5/8	200	EVA1010	1.61	5/8	100	CVT1010	1.83				
3/4	200	EVA1212	1.78	3/4	100	CVT1212	2.13	3/4	700	SB1212	2.82
1	125	EVA1616	2.64	1	100	CVT1616	2.74	SB-Single Braid-150 PSI Rating			
NOTE: All have 1/8" wall thickness				1/4	300	CVTB44	1.11				
3/8	300	EVAR6	1.93	3/8	300	CVTB66	1.48	3/8	700	TB66	1.68
1/2	300	EVAR8	2.41	1/2	300	CVTB88	1.71	1/2	700	TB88	2.32
3/4	200	EVAR12	3.36	5/8	300	CVTB1010	2.25	5/8	700	TB1010	3.00
1	200	EVAR16	6.08	3/4	300	CVTB1212	3.31	3/4	700	TB1212	3.23
Reinforced EVA				1	200	CVTB1616	4.69	TB-Double Braid-300 PSI Rating			

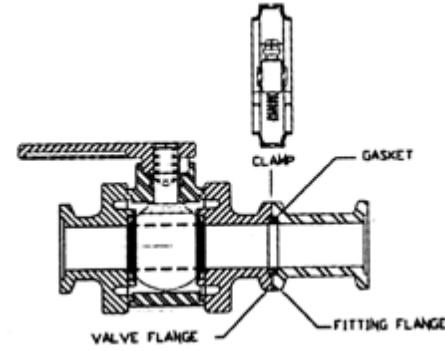
SEALANTS

Teflon Tape	Part#	List/E	Liq Tef	Part#	List/E	Rectorseal	Part#	List/E
1/4 X 520	1452	1.45	2oz	LT2	12.25	8oz	RSTB	44.36
1/2 X 260	1226	1.30	4oz	LT4	23.25	2oz	RSTB-2	14.56
1/2 X 520	1252	1.70	8oz	LT8	40.50	8oz	RS-21	46.92
3/4 X 520	3452	2.60						

MANIFOLD FITTINGS

-POSITIVE SEALS, QUICK ASSEMBLY
 -360 DEGREE ORIENTATION
 -NO THREADS, SEALANTS, OR PIPE TAPES
 SIZES: 1" (Full Port) = MF16 (2.04" dia. flange)
 2" (1 1/2" Port) = MF32 (3.07")
 2" (Full Port) = MF32FP (3.27")
 3" (Full Port) = MF48 (4.44")

MATERIAL: Glass-filled Polypropylene
 CLAMPS: Stainless steel worm drive
 SEALS: Epdm & Viton



Fl	Hb	Part#	List/E
1	1	MF16BRB	3.58
1	3/4	MF1612BRB	3.58
1	1 1/4	MF1620BRB	3.58
2	1	MF3216BRB	8.74
2	1 1/4	MF3220BRB	9.07
2	1 1/2	MF3224BRB	8.00
2	2	MF32BRB	8.74
2FP	1/2	MF32FP24BRB	8.74
2FP	2	MF32FPBRB	8.00
3	2	MF4832BRB	26.98
3	3	MF48BRB	24.37

Fl	Part#	List/E
1	MF16CPG	8.74
2	MF32CPG	20.98
2FP	MF32FPCPG	23.58
3	MF48CPG	27.77

Fl	Part#	List/E
2-1	MF3216CPG	23.81
2FP-1	MF32FP16CPG	26.19
2FP-2	MF32FP32CPG	26.19
3-2	MF4832CPG	61.12
3-2FP	MF4832FPCPG	55.53

Fl	Hb	Part#	List/E
1	3/4	MF1612BRBE	4.33
1	1	MF16BRBE	4.33
1	1 1/4	MF1620BRBE	4.33
2	1	MF3216BRBE	16.19
2	1 1/4	MF3220BRBE	16.19
2	1 1/2	MF3224BRBE	14.74
2	2	MF32BRBE	16.19
2FP	1/2	MF32FP24BRBE	16.19
2FP	2	MF32FPBRBE	16.19
3	2	MF4832BRBE	26.79
3	3	MF48BRBE	65.12

Fl	Part#	List/E
1	MF16CPG45	18.19
2	MF32CPG45	21.44
2FP	MF32FPCPG45	25.86
3	MF48CPG45	105.72

Fl	Part#	List/E
1	MF16CPGE	12.23
2	MF32CPGE	20.47
2SH	MF32CPGESH	20.47
2FP	MF32FPCPGE	18.60
3	MF48CPGE	88.37

Fl	Mpt	Part#	List/E
1	3/4	MF1612MPT	4.09
1	1	MF16MPT	4.09
1	1 1/4	MF1620MPT	4.09
2	1 1/4	MF3220MPT	7.72
2	1 1/2	MF3224MPT	7.72
2	2	MF32MPT	7.72
2FP	2	MF32FPMPT	7.72
3	3	MF48MPT	21.49
1	1	MF16MPTSS	39.77
2	1 1/4	MF3220MPTSS	71.58
2	1 1/2	MF3224MPTSS	65.63
2	2	MF32MPTSS	85.86
2FP	1/2	MF32FP24MPTSS	90.31
2FP	2	MF32FPMPTSS	90.31
3	3	MF48MPTSS	160.00

Fl	Part#	List/E
1	MF16TEE	11.26
1	MF16TEE-L	10.76
2	MF32TEE	21.49
2-1RED	MF3216TEE	22.70
2FP	MF32FPTEE	21.49
2FP-1RED	MF32FP16TEE	23.95
3	MF48TEE	101.44

Fl	Part#	List/E
1	MF16CR	32.98
2	MF32CR	53.81
2FP	MF32FPCR	59.21
3	MF48CR	119.02

MANIFOLD FITTINGS

Fl	Fpt	Part#	List/E
1	1/2	MF168FPT	4.09
1	3/4	MF1612FPT	4.09
1	1	MF16FPT	7.72
2	2	MF32FPT	22.47
2FP	2	MF32FPFPT	36.19
3	3	MF48FPT	58.23

Fl	Fpt	Part#	List/E
1		MF16PL	4.09
2		MF32PL	7.72
2FP		MF32FPPL	9.81
3		MF48PL	26.19
1	1/4	MF16PL-4	18.14
2	1/8	MF32PL-2	21.30
2	1/4	MF32PL-4	23.44
2	3/8	MF32PL-6	25.63
2	1/2	MF32PL-8	23.44
2	3/4	MF32PL-12	23.44
2	1	MF32PL-16	23.44
2FP	3/4	MF32FPPL-12	35.72
3	3/4	MF48PL-12	42.37
3	1	MF48PL-16	43.67

Fl	Part#	List/E
1	MF16A	10.65
2	MF32A	14.23
2FP	MF32FPA	15.67
3	MF48A	30.37

Fl/Mat	Part#	List/E
1/EPDM	MF16GE	3.40
1/VITON	MF16GV	9.95
2/EPDM	MF32GE	1.63
2/VITON	MF32GV	18.00
2FP/EPDM	MF32FPGE	1.67
2FP/VITON	MF32FPGV	27.91
3/EPDM	MF48GE	2.33
3/VITON	MF48GV	38.28

Fl	Part#	List/E
1	MF16CL	13.16
2	MF32CL	15.91
2FP	MF32FPCL	16.47
3	MF48CL	20.51

Fl	Part#	List/E
1	MV16CF	70.14
2	MV32CF	99.26
2FP	MV32FPCF	132.28
3	MV48CF	217.16
3FP	MV48FPCF	314.79
1	MV16BL	104.54
2	MV32BL	112.51
2FP	MV32FPBL	178.11
BL - BOTTOM LOAD - 3 WAY		
1	MV16SL	104.54
2	MV32SL	142.74
2FP	MV32FPSL	178.11
SL - SIDE LOAD - 3 WAY		

Fl	Mesh	Part#	List/E
1	*	MLST16-*	74.23
* Specify 16,30,50,80,100 MESH			
2	*	MLST32-*	125.67
* Specify 16,30,50,80,100 MESH			

Fl	Mesh	Part#	List/E
2	*	MLS32-*	158.84
* Specify 6,12,20,30,50,80,120 Mesh			
2FP	*	MLS32FP-*	220.42
* Specify 4,8,10,16,30,50,80,100 Mesh			
3	*	MLS48-*	886.37
* Specify 4,6,8,12,20,50 Mesh			

Fl	Part#	List/E
1	MF16BF	66.74
2	MF32BF	69.03
2FP	MF32FPBF	113.79
3	MF48BF	152.07
1	MF16BFBD	88.50
2	MF32BFBD	84.65
2FP	MF32FPBFBD	112.25
3	MF48BFBD	137.86
BD=BOTTOM DRAIN		

MANIFOLD FTG

MANIFOLD FTG

TERMS AND CONDITIONS

PRICING

All prices are subject to change without notice. Orders will be invoiced at prevailing prices at time of shipment. All prices are F.O.B. Sioux Falls, SD

TERMS

1% 10 Days, Net 30 Days for credit approved accounts unless otherwise stated. Accounts over 30 days past due will be put on credit hold. A service charge of 1 1/2% per month will be charged on all past due accounts. New accounts are required to complete credit application. Initial shipment will be held until credit approval, unless customer requests C.O.D or credit card shipment. Visa and Mastercard also accepted.

ORDERING

Orders accepted by phone, fax or e-mail. Please order by part number. A \$5 handling fee will be added to all orders less than \$25 net.

CLAIMS

All claims as to prices, terms, or service must be made within 15 days of invoice date.

RETURNS

Shipping errors must be reported to us within 10 days and returned with our RGA# and a copy of the order.

All other returns for credit must be made within 60 days and must be approved by A & M Industries. Returns must be freight prepaid and be accompanied by a RGA# and a copy of the invoice. There will be a minimum of 20% restocking charge deducted from credit. Parts returned must be in as-new condition (parts must be free of dirt, tape, and sealants).

NO RETURNS ACCEPTED AFTER 90 DAYS.

SHIPPING

All orders shipped F.O.B. Sioux Falls, SD. UPS shipments are shipped prepaid with charges added to invoice unless customer supplies a freight collect number. Truck shipments ship freight collect. Drop shipments are accepted.

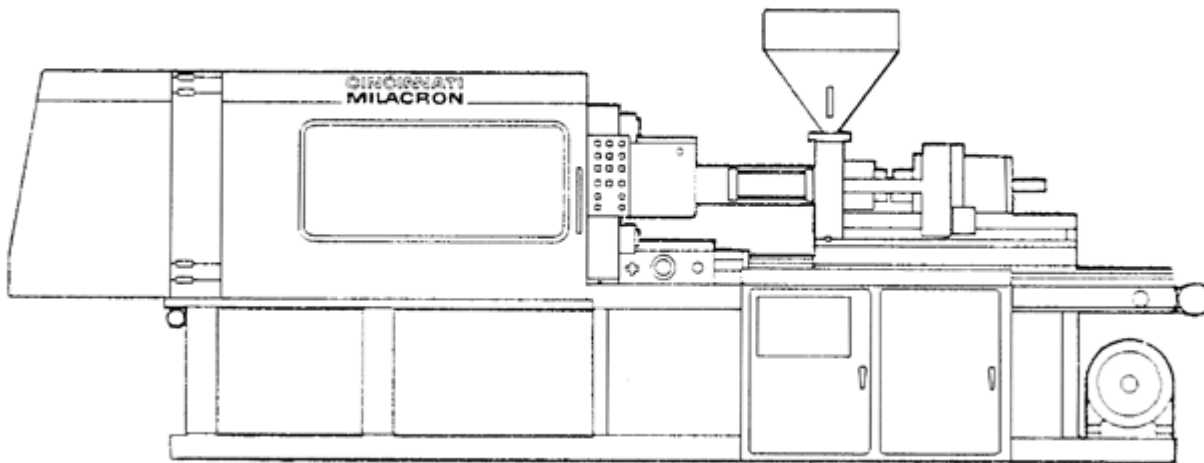
WARRANTY

A & M Industries warrants the products described herein, to the initial purchaser only, to be free from defects and workmanship for a period of 90 days from the date of shipment by A & M Industries, under normal use and service. A & M Industries sole obligation under this warranty is limited to product replacement. A & M will upon return of the product and examination of the product, replace the failed product only when upon examination by A & M if it is found the product was stored, maintained, installed, and operated in accordance with the terms, conditions and recommendation for use. This warranty shall not apply to any product that has been subject to abuse, negligence, accident, misapplication or to any product that has been altered. A & M Industries does not warrant the suitability of any raw material or fitting for any specific purpose or application. We recommend customer testing be performed to verify the material and fitting qualities for their specific applications. This warranty constitutes A & M Industries sole obligation to damages, whether direct, incidental, or consequential, resulting from the use or performance of the product.

A & M INDUSTRIES
3610 NORTH CLIFF AVE.
SIOUX FALLS, S.D. 57104

PRESORTED
STANDARD
US POSTAGE PAID
Permit No. 1436
Sioux Falls, S.D.

CUSTOM INJECTION MOLDING



QUALITY AT COMPETITIVE PRICES

A & M INDUSTRIES

3610 NORTH CLIFF AVE. - SIOUX FALLS, SOUTH DAKOTA 57104

PHONE	1 605 332-4877
ORDERS	1 800 888-2615
FAX	1 605 338-6015

www.amindustries.com e-mail amindustries@amindustries.com